

PAPER JOGGER PJ SERIES

215-425-0300  
northernmachine.com

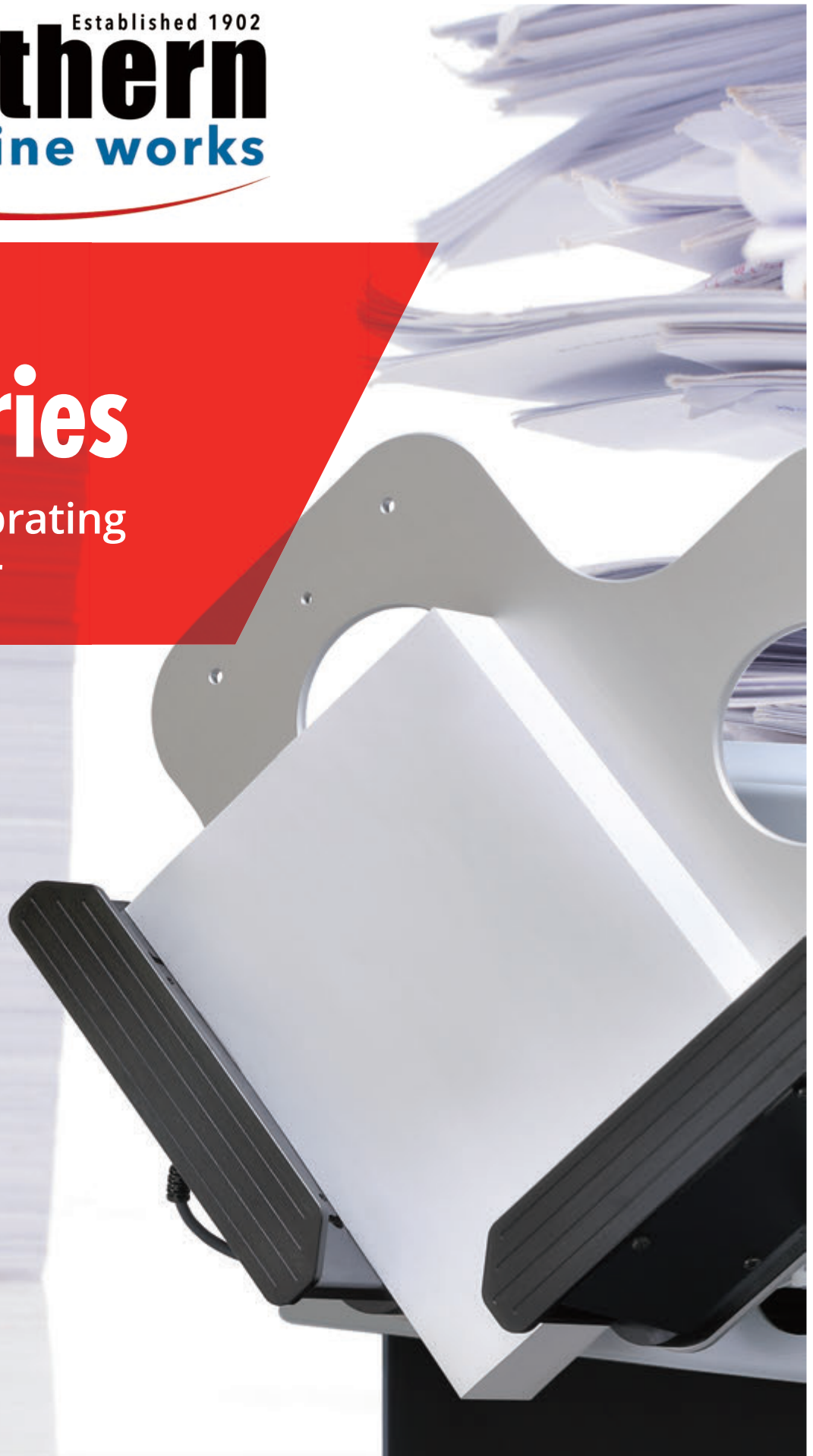
**Horizon**



PAPER JOGGER

# PJ Series

Air-assist Vibrating  
Paper Jogger



# HIGH QUALITY PAPER JOGGER.

For easy paper handling and smooth post press processing.

## BENEFIT

- Wide range of substrates can be jogged with quick and easy operation.
- Foot pedal operation.

### Only for PJ-200

- Problematic static is eliminated with ionized air for easy paper handling and smooth post press processing.
- User friendly operation; choose operation mode and monitor status.



PJ-200

## PAPER JOGGING

- Combination of vibration and blowing air provide quick separation and firm jogging.
- Wide range of substrates can be jogged.
- V-shaped jogger tray for easy paper loading. Criss cross stacked pile can be loaded easily.



Angle adjustable jogger tray

## SEPARATION CONTROL PANEL

- The amount of air can be changed with a simple volume adjustment. Blower ON or OFF can be selected.

### Only for PJ-200

- Ionizer automatically activates according to the amount of air set by the volume. Ionizer operation status can be monitored by LED lamp.

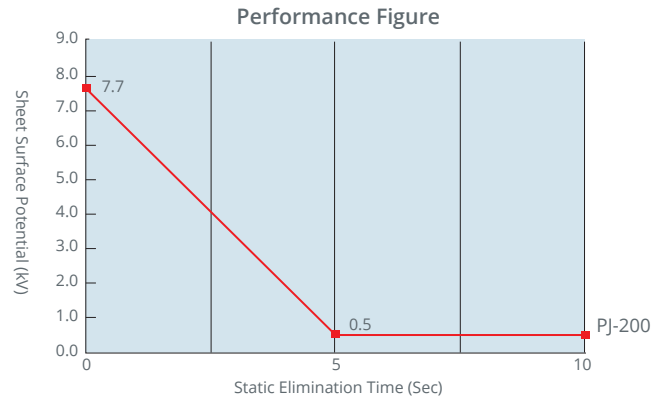
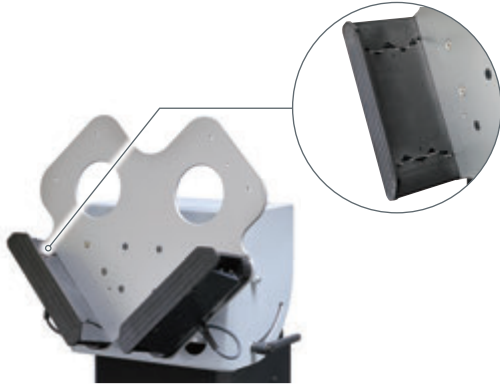


## 2 TYPES OF OPERATION MODES

- Either Foot Pedal Mode or Continuous Mode can be selected.
- Vibrating time can be adjusted depending on substrate and static condition.

## STATIC ELIMINATION FUNCTION Only for PJ-200

- Ionized air eliminates static electricity requiring sheet feeding quickly to prevent the mis-feed and double-feeding at post press equipment systems requiring sheet feeding.



Measurement Conditions

Environmental Test Room: Temperature 20 degrees Celsius or 68 degrees Fahrenheit, Humidity 20%

Thermometer and Hygrometer: 20 degrees Celsius or 68 degrees Fahrenheit, Humidity 28%

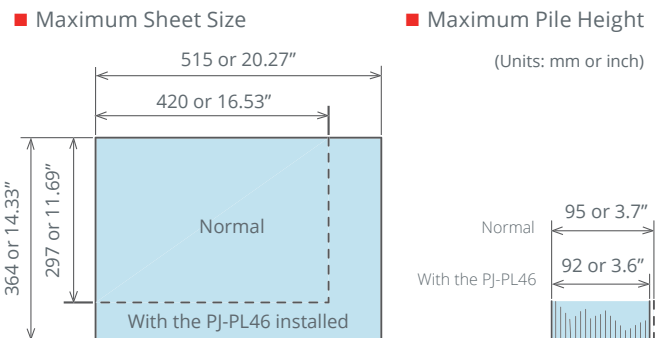
Paper: Both sides printed A4 normal paper with the 17 mm or 0.67" thickness

- \* - The data is the test result, not the guaranteed performance.
- The static eliminator has a 6,000 hour life, which will endure 12 years with the operation of two hours a day and 240 days a year. (Depends on the operating environment and conditions.)

# OPTIONS.

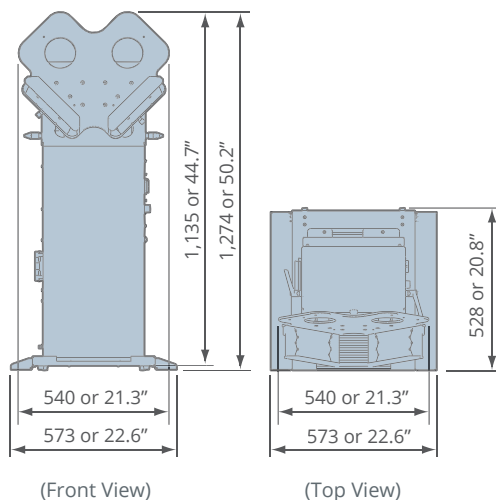
## PJ-PL46 EXTENSION PLATE FOR SIZE B3

Sheets up to B3 size will be available by installing the extension plate.



# SPECIFICATIONS.

Machine Dimensions. (Unit: mm or inch)



PJ-110 / PJ-200	
<b>Sheet Size</b>	<p><b>Width x Length</b></p> <p>Max. 297 x 420 mm or 11.69" x 16.53"                      Min. 128 x 182 mm or 5.03" x 7.16"                      *When using the option:                      Max. 364 x 515 mm or 14.33" x 20.27"</p> <p>B6 to A3                      *When using the option: B6 to B3</p>
<b>Pile Height</b>	<p>Max. 95 mm or 3.7"                      *When using the option: Max. 92 mm or 3.6"</p>
<b>Voltage/Frequency</b>	<p>Single Phase 115-120 V, 50 or 60 Hz                      Single Phase 220-240 V, 50 or 60 Hz</p>
<b>Machine Dimensions</b>	<p>540 (W) x 528 (D) x 1,135 (H) mm or 21.3" x 20.8" x 44.7"                      *When using the option:                      573 (W) x 528 (D) x 1,274 (H) mm or 22.6" x 20.8" x 50.2"</p>
<b>Machine Weight</b>	<p>55 kg or 121.3 lb</p>

\*The machine design and specifications are subject to change without any notice.

\*Specifications may vary depending on the job, paper quality, environmental influences, and various other factors. Please do a test run before starting production.