

Horizon



PAPER JOGGER

PJ Series

Air-assist Vibrating
Paper Jogger



HIGH QUALITY PAPER JOGGER.

For easy paper handling and smooth post press processing.

BENEFIT

- Wide range of substrates can be jogged with quick and easy operation.
- Foot pedal operation.

Only for PJ-200

- Problematic static is eliminated with ionized air for easy paper handling and smooth post press processing.
- User friendly operation; choose operation mode and monitor status.



PJ-200

PAPER JOGGING

- Combination of vibration and blowing air provide quick separation and firm jogging.
- Wide range of substrates can be jogged.
- V-shaped jogger tray for easy paper loading. Criss cross stacked pile can be loaded easily.



Angle adjustable jogger tray

SEPARATION CONTROL PANEL

- The amount of air can be changed with a simple volume adjustment. Blower ON or OFF can be selected.

Only for PJ-200

- Ionizer automatically activates according to the amount of air set by the volume. Ionizer operation status can be monitored by LED lamp.

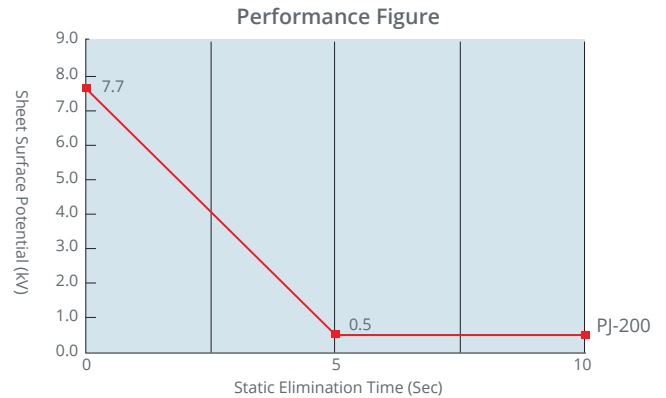
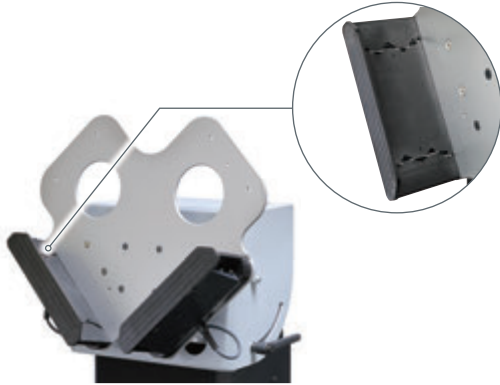


2 TYPES OF OPERATION MODES

- Either Foot Pedal Mode or Continuous Mode can be selected.
- Vibrating time can be adjusted depending on substrate and static condition.

STATIC ELIMINATION FUNCTION Only for PJ-200

- Ionized air eliminates static electricity requiring sheet feeding quickly to prevent the mis-feed and double-feeding at post press equipment systems requiring sheet feeding.



Measurement Conditions

Environmental Test Room: Temperature 20 degrees Celsius or 68 degrees Fahrenheit, Humidity 20%
 Thermometer and Hygrometer: 20 degrees Celsius or 68 degrees Fahrenheit, Humidity 28%
 Paper: Both sides printed A4 normal paper with the 17 mm or 0.67" thickness

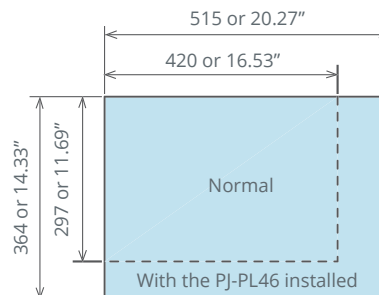
- * - The data is the test result, not the guaranteed performance.
- The static eliminator has a 6,000 hour life, which will endure 12 years with the operation of two hours a day and 240 days a year. (Depends on the operating environment and conditions.)

OPTIONS.

PJ-PL46 EXTENSION PLATE FOR SIZE B3

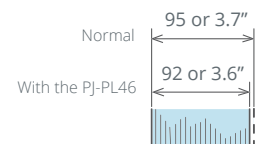
Sheets up to B3 size will be available by installing the extension plate.

Maximum Sheet Size



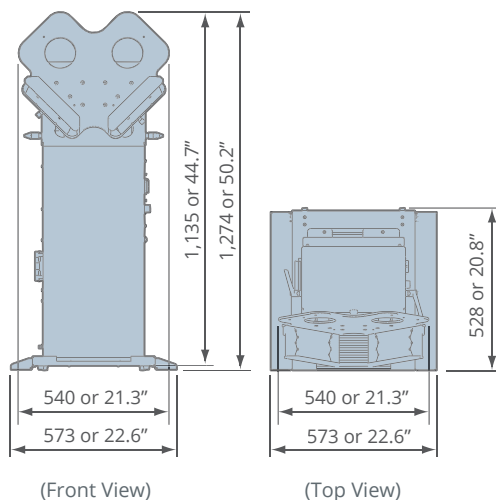
Maximum Pile Height

(Units: mm or inch)



SPECIFICATIONS.

Machine Dimensions. (Unit: mm or inch)



PJ-110 / PJ-200

Sheet Size	<p>Width x Length Max. 297 x 420 mm or 11.69" x 16.53" Min. 128 x 182 mm or 5.03" x 7.16" *When using the option: Max. 364 x 515 mm or 14.33" x 20.27"</p>
	B6 to A3 *When using the option: B6 to B3
Pile Height	Max. 95 mm or 3.7" *When using the option: Max. 92 mm or 3.6"
Voltage/Frequency	Single Phase 115-120 V, 50 or 60 Hz Single Phase 220-240 V, 50 or 60 Hz
Machine Dimensions	540 (W) x 528 (D) x 1,135 (H) mm or 21.3" x 20.8" x 44.7" *When using the option: 573 (W) x 528 (D) x 1,274 (H) mm or 22.6" x 20.8" x 50.2"
Machine Weight	55 kg or 121.3 lb

*The machine design and specifications are subject to change without any notice.

*Specifications may vary depending on the job, paper quality, environmental influences, and various other factors. Please do a test run before starting production.



2817 CEDAR ST.
PHILADELPHIA, PA 19134
(215) 425-0300

WWW.NORTHERNMACHINE.COM

Horizon

Horizon International Inc.

1601 Asahi, Shinasahicho, Takashima,
Shiga, 520-1501, Japan
Phone : +81-740-25-4570
Fax : +81-740-25-5820
www.horizon.co.jp

Horizon GmbH

Pascalstrasse 20
25451 Quickborn / Germany
Phone : +49 4106 8042-0
Fax : +49 4106 8042-199
www.horizon.de